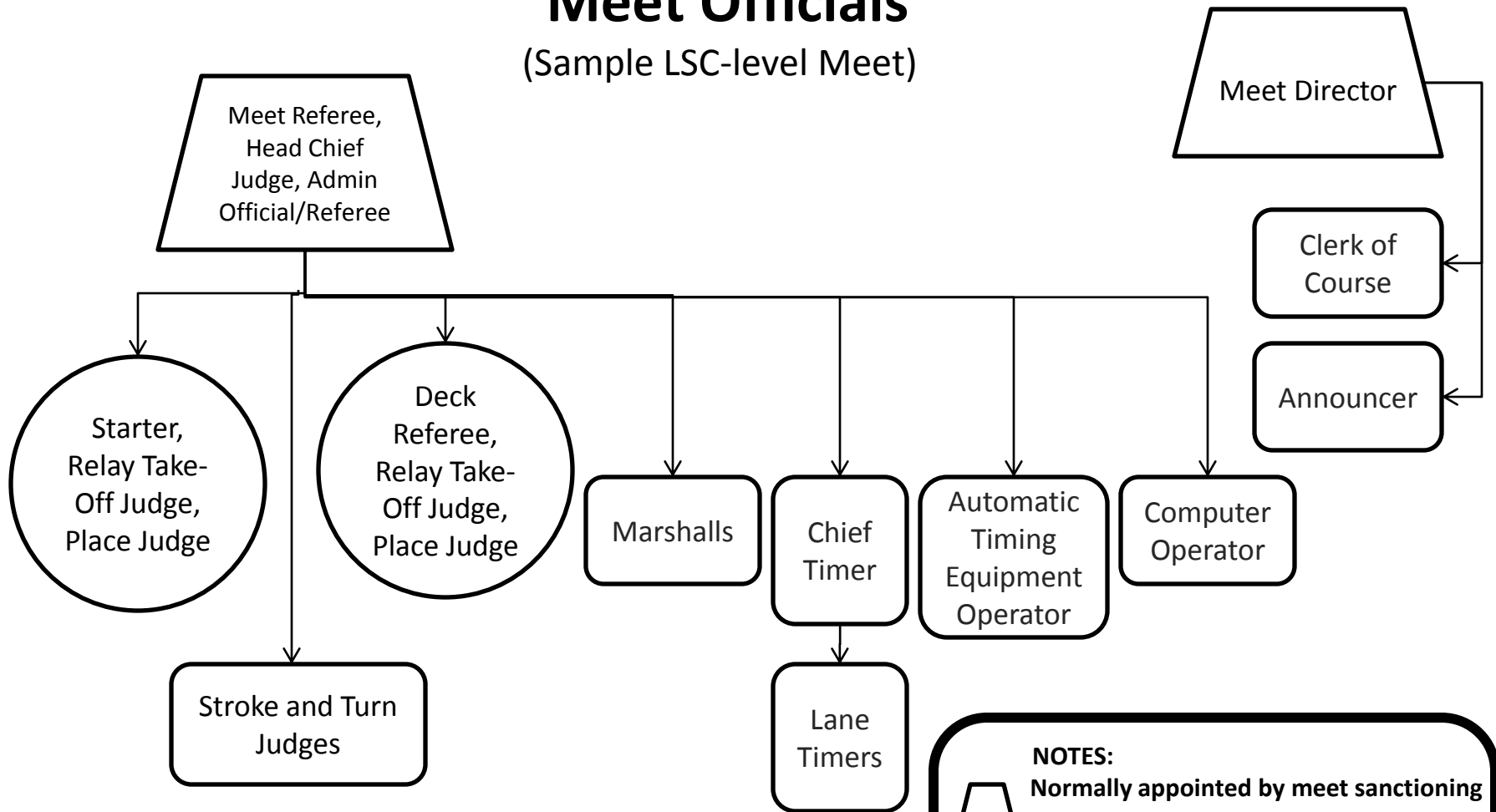







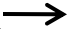


# Meet Officials

(Sample LSC-level Meet)



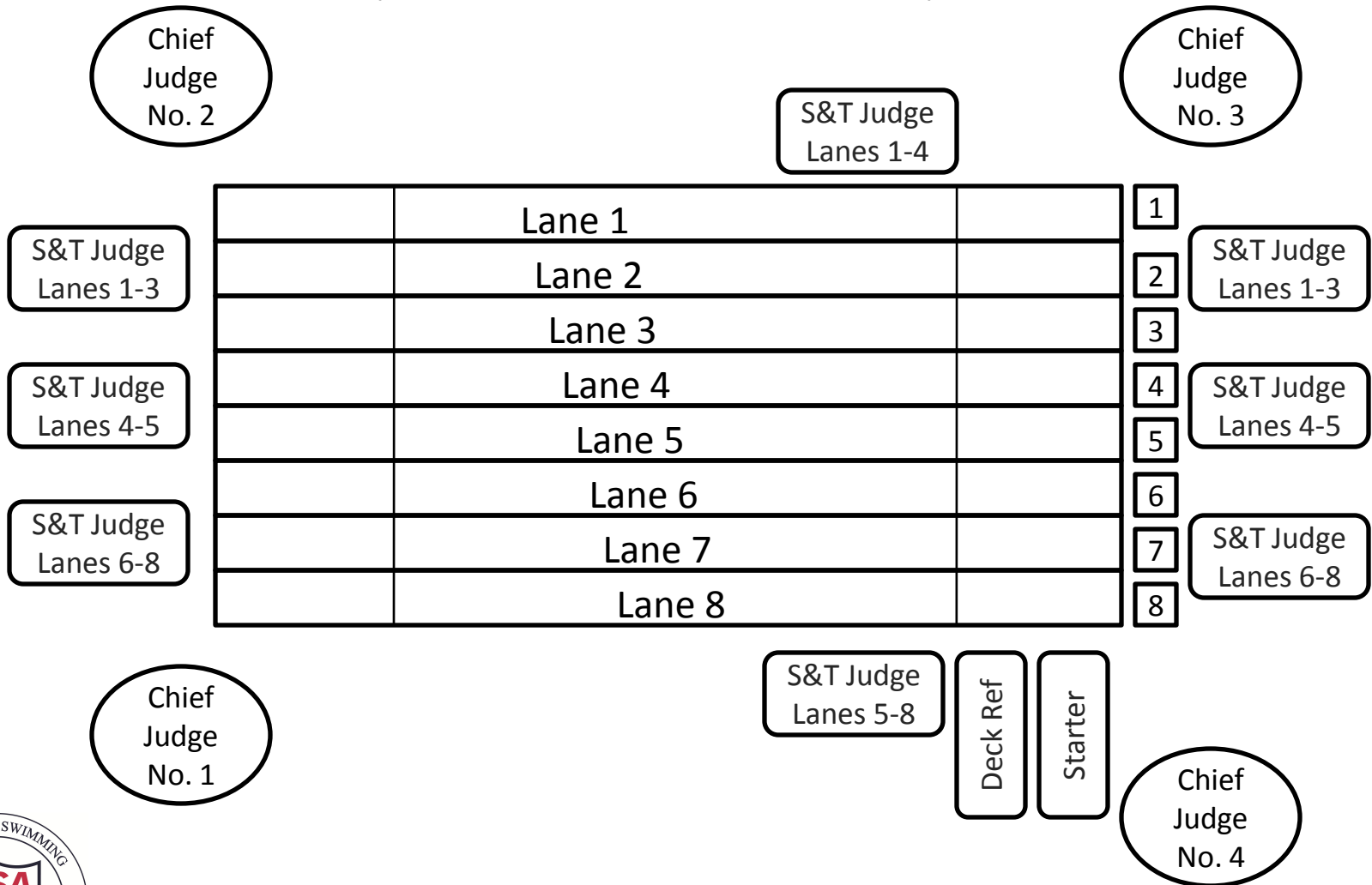
**NOTES:**

-  Normally appointed by meet sanctioning team
-  Normally appointed by Meet Referee
-  All other meet officials
-  Depict normal reporting structure



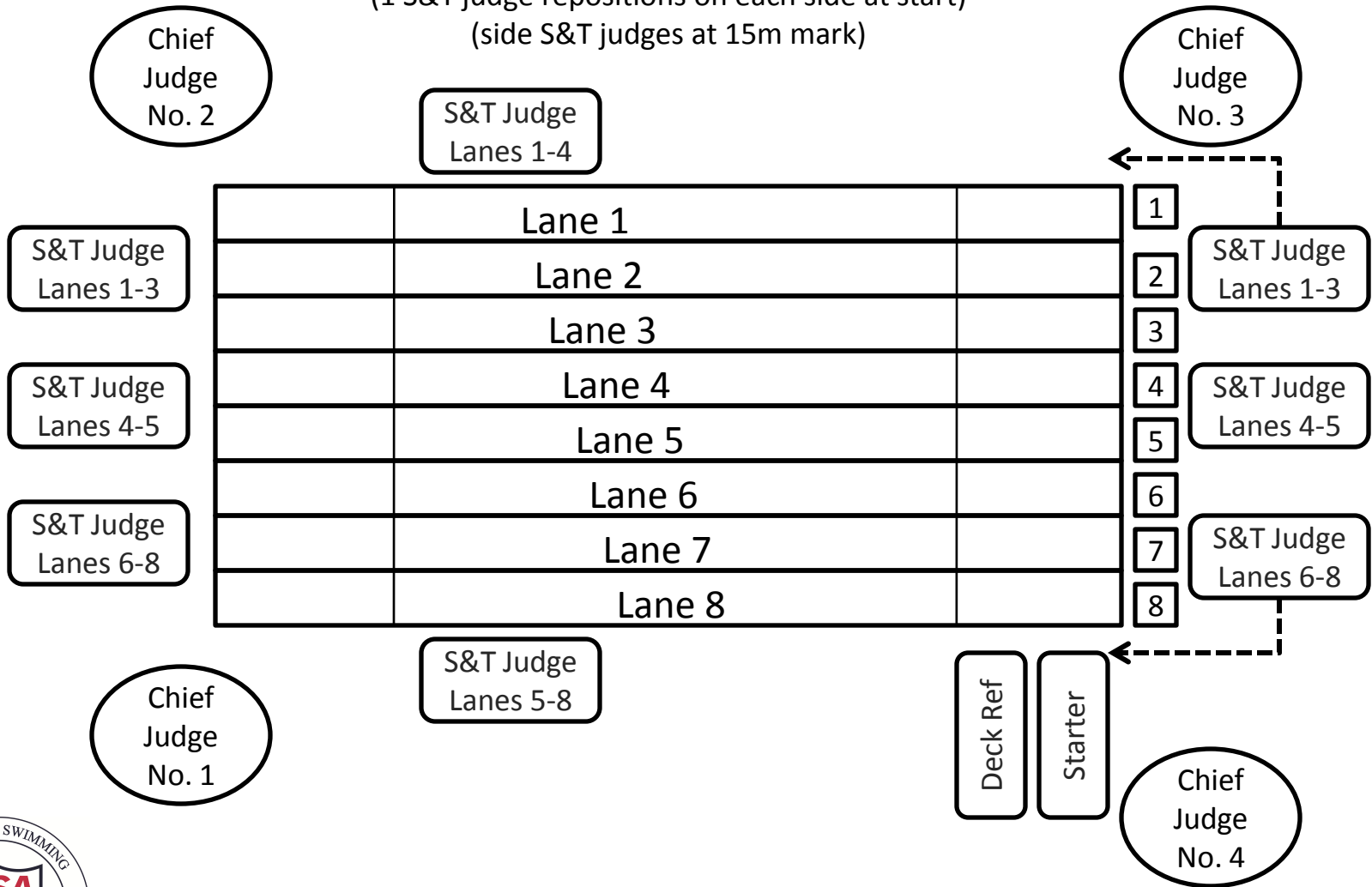
# Officials Placement On Deck

(At start of BR and FY event races)



# Officials Placement On Deck

(At **start** of Backstroke event races)  
 (1 S&T judge repositions on each side at start)  
 (side S&T judges at 15m mark)



# Officials Placement On Deck

(During Freestyle event races)  
 (1 S&T judge repositions to each corner)  
 (may want to put a CJ or S&T judge at 15m mark)

Chief Judge No. 2

Chief Judge No. 3

S&T Judge Lanes 1-4

S&T Judge Lanes 1-4

	Lane 1		1
	Lane 2		2
	Lane 3		3
	Lane 4		4
	Lane 5		5
	Lane 6		6
	Lane 7		7
	Lane 8		8

Chief Judge No. 1

S&T Judge Lanes 5-8

S&T Judge Lanes 5-8

Deck Ref

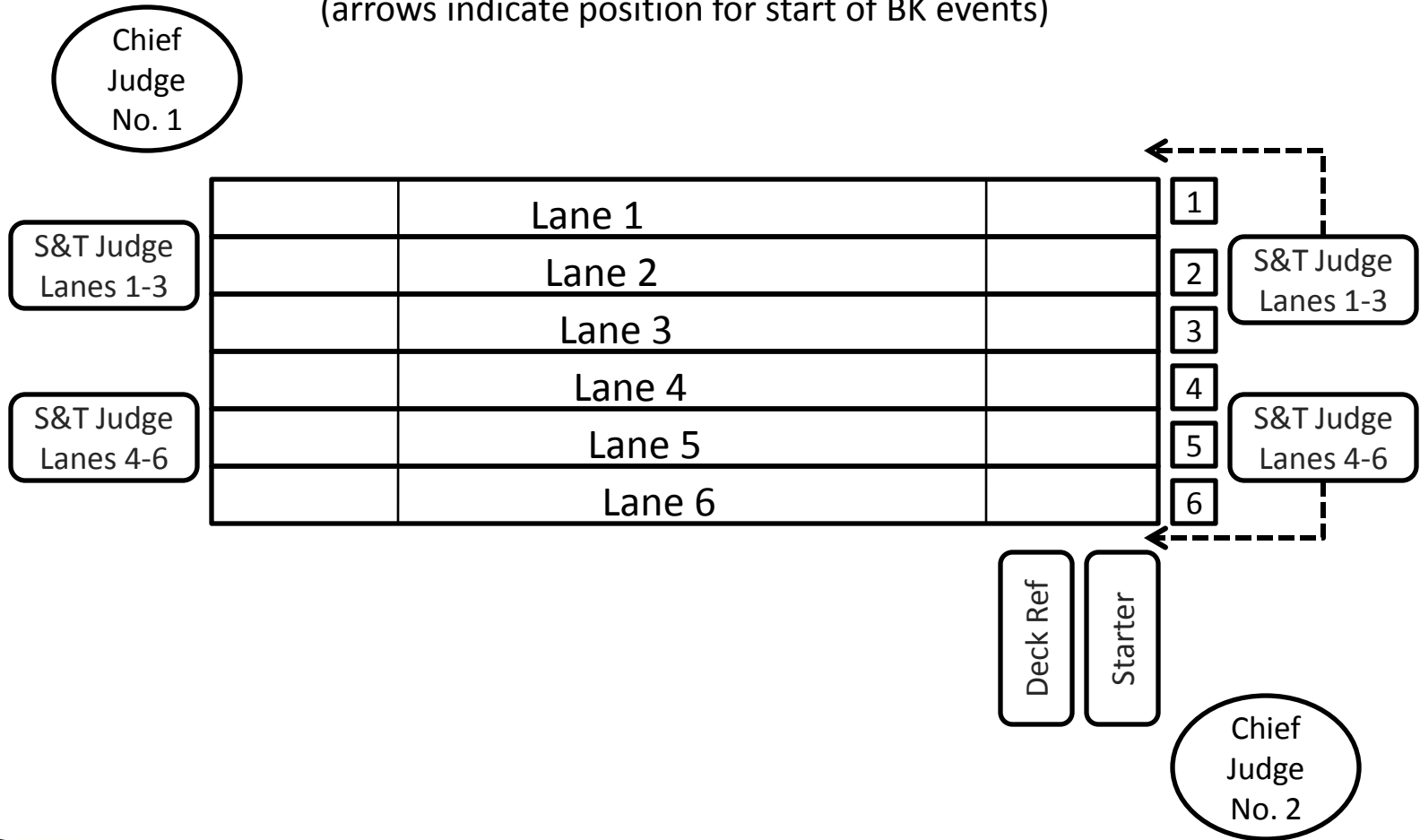
Starter

Chief Judge No. 4



# Officials Placement On Deck

(Example of 6 lane pool with reduced staffing)  
(arrows indicate position for start of BK events)



# Recommended Deck Assignment of Officials

(Assumes 8 lane pool)

POSITION	Number of Officials																		State
	4	5	6	7	8	9	10	11	12	13	14	15	16	17	18	22/23	Meet	Goal	
Meet Referee																		1 @	
Starter(s)	1*	1*	1*	1*	1*	1*	1	1	1	1	1	1	2	2	2		2		
Deck Referee(s)	1*	1*	1	1*	1	1	1	1	1	1	1	1	2	2	2		2		
Administrative Official/Referee	1	1	1	1	1	1	1	1	1	1	1	1	1	1	1		1/1#		
Stroke judge opposite S/R box	1		1		1	1													
Turn judges on turn end of pool		2		3	3	3	3	3	3	4	3	4	3	4	4		4		
Turn judges on start end of pool							2	3	3	3	3	3	3	3	3		4		
Stroke judges on side of pool			1								2	2	2	2	2		4		
Chief Judges			1	1	1	2	2	2	3	3	3	3	3	3	4		4		

\* Position doubles as a primary Stroke & Turn Judge  
 # At meets where prelim-finals format is being used  
 @ Meet Referee not otherwise assigned a deck duty

## Priorities / Objectives:

- 1) Have a Chief Judge
- 2) Preference of S&T judges being on end of pool, rather than side
- 3) Have Deck Referee and Starter located together in "hot box"
- 4) Consistent deck coverage throughout all sessions of meet
- 5) Depending upon meet format, consider dropping down a level or two to allow for relief official(s)

